



www.jerko-kempen.de

AUTOMATION



Jerke
Sprühsysteme



100 % CUSTOMISED

This is what we offer

Cross-industry know-how and years of experience in the forging industry provide us with the competence to always find the right solution.

Because we maintain partnerships with suppliers worldwide, we are also able to handle complex projects.

Our experts provide you with honest engineering advice — that is Jerko!

Are you planning to make an approach on automation?

As a rather small medium-sized business with years of experience, we are just the right partner for your endeavour.

A simple feeder or 100 % automation — we at Jerko provide support until the whole system has been set up.

We offer 3D scanning and simulation so that you can make the right decision.

You can rely upon our experts!

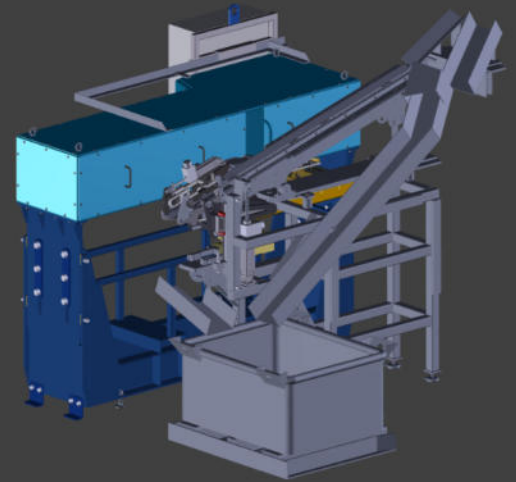
Our services — an overview

- All from one source
- Individual design according to your requirements
- Designed, built and safe according to Machinery Directive 2006/42/EC

Project examples

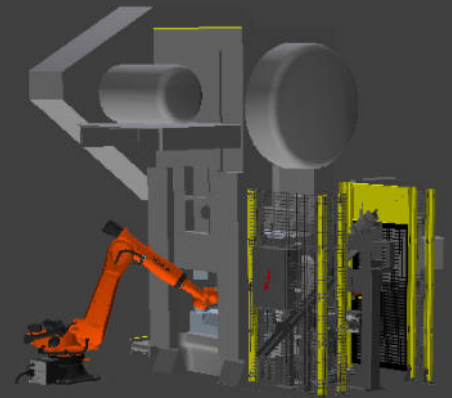
Feeder forging blanks & spraying

Component Ø: 35–95 mm
Component length: 40–260 mm
Temperature: up to 1250 °C



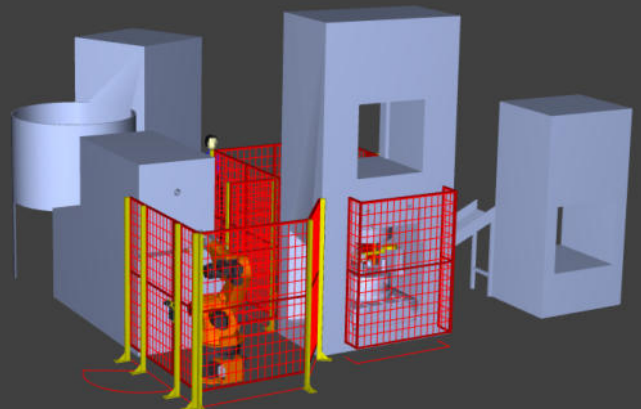
Parts transport & spraying

Component l x w x h: 800 x 350 x 150 mm
Component weight: up to 12 kg
Cycle time: 5 s



Press automation

From induction to the cooling belt —
from simulation to the finished component
All from one source!





www.jerko-kempen.de

**BENEFIT FROM THE COMPETITIVE
ADVANTAGE OF THE TECHNOLOGY
LEADER**

JERKO — your goal, our challenge

info@jerko-kempen.de

+49 2152 9103 0